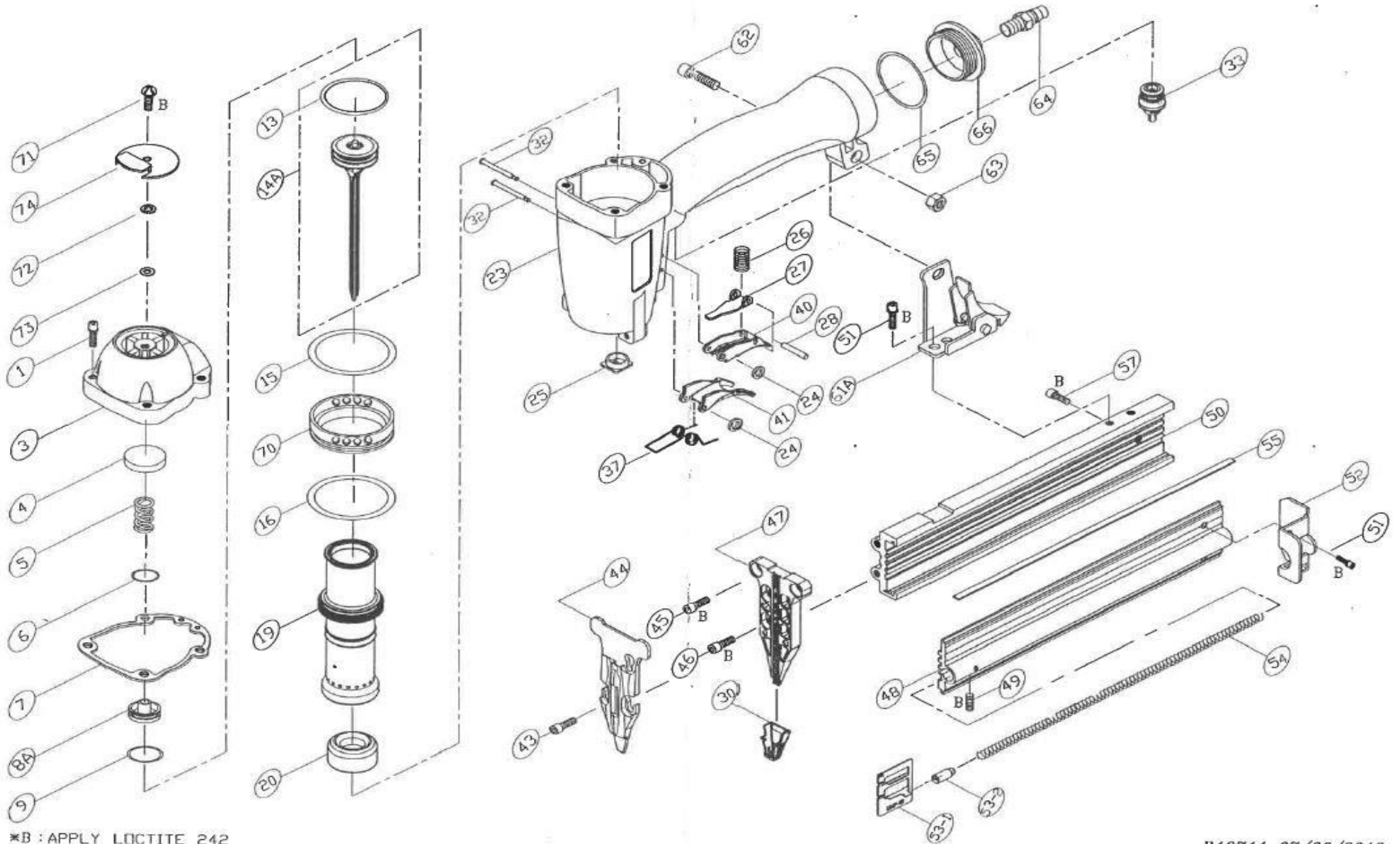


MAQUINA	DESCRIPCION
QCGLMF40LAC	CLAVADORA CORGRAP LMF-40 LAC

DESDE FECHA	20/07/12
HASTA FECHA	31/12/2099



\*B : APPLY LOCTITE 242



MAQUINA	DESCRIPCION	DESDE FECHA	20/07/2012
QCGLMF40LAC	CLAVADORA CORGRAP LMF-40 LAC	HASTA FECHA	31/12/2099

RECAMBIO	DESCRIPCION	CANTIDAD	POSICION
RTHS05080BW20 (1)	PERNO HS05080BW-20	4	1
RTOR17730N (13)	ANILLO TÓRICO OR17730N	1	13
RT11701402A (14A)	CUCHILLA 11701402A	1	14A
RTOR44431N (15)	ANILLO TÓRICO OR44431N	1	15
RTOR35020N (16)	ANILLO TÓRICO OR35020N	1	16
RT11701902 (19)	CILINDRO 11701902	1	19
RT11502001 (20)	AMORTIGUADOR 11502001	1	20
RT11102311 (23)	CUERPO 11102311	1	23
RTOR01919N (24)	ANILLO TÓRICO OR01919N	2	24
RT12102501 (25)	GUÍA 12102501	1	25
RT32802501 (26)	MUELLE 32802501	1	26
RT15104501A (27)	GATILLO 15104501A	1	27
RTBP0316P (28)	PASADOR BP0316P	1	28
RT13900304A01 (3)	CABEZAL 13900304	1	3
RT11703001 (30)	PROTECTOR 11703001	1	30
RT11103201 (32)	PASADOR 11103201	2	32
RT11006903A (33)	VÁLVULA 11006903A	1	33
RT11703701 (37)	MUELLE 11703701	1	37
RT12100401 (4)	JUNTA 12100401	1	4
RT11704001 (40)	GATILLO 11704001	1	40
RT11704101 (41)	TAPA 11704101	1	41
RTHS04070B10 (43)	PERNO HS04070B-10	2	43
RT11704402 (44)	TAPA 11704402	1	44
RTHS05080B18 (45)	PERNO HS05080B-18	2	45
RTHS04070B12 (46)	PERNO HS04070B-12	2	46
RT11704702 (47)	MORRO 11704702	1	47
RT11704801 (48)	TAPA 11704801	1	48



MAQUINA	DESCRIPCION	DESDE FECHA	20/07/2012
QCGLMF40LAC	CLAVADORA CORGRAP LMF-40 LAC	HASTA FECHA	31/12/2099

RECAMBIO	DESCRIPCION	CANTIDAD	POSICION
RTSS04070B12 (49)	TORNILLO SS04070B-12	1	49
RT12100501 (5)	MUELLE 12100501	1	5
RT11705001 (50)	CARGADOR 11705001	1	50
RTHS04070BW08 (51)	PERNO HS04070BW-08	4	51
RT11705201 (52)	TAPA 11705201	1	52
RT11705301 (53-1)	EMPUJADOR 11705301	1	53-1
RT11705302 (53-2)	TOPE 11705302	1	53-2
RT12105401 (54)	MUELLE 12105401	1	54
RT12105501 (55)	GUÍA 12105501	1	55
RTHS04070B06 (57)	PERNO HS04070B-06	1	57
RTOR13824N (6)	ANILLO TÓRICO OR13824N	1	6
RT13206101A (61A)	SOPORTE 13206101A	1	61A
RTHS05080B16 (62)	PERNO HS05080B-16	1	62
RTLN0500N (63)	TUERCA LN0500N	1	63
RT12106401 (64)	ENTRADA AIRE 12106401	1	64
RTOR40030N (65)	ANILLO TÓRICO OR40030N	1	65
RT11106601 (66)	TAPA 11106601	1	66
RT13900703 (7)	TAPA 13900703	1	7
RT13901903 (70)	COLLAR 13901903	1	70
RTUS05080B06 (71)	PERNO US05080B-06	1	71
RTSW0500W (72)	ARANDELA SW0500W	1	72
RT12103301 (73)	JUNTA 12103301	1	73
RT13108001 (74)	TAPA 13108001	1	74
RT12100801A (8A)	VÁLVULA 12100801A	1	8A
RTOR31824N (9)	ANILLO TÓRICO OR31824N	1	9